



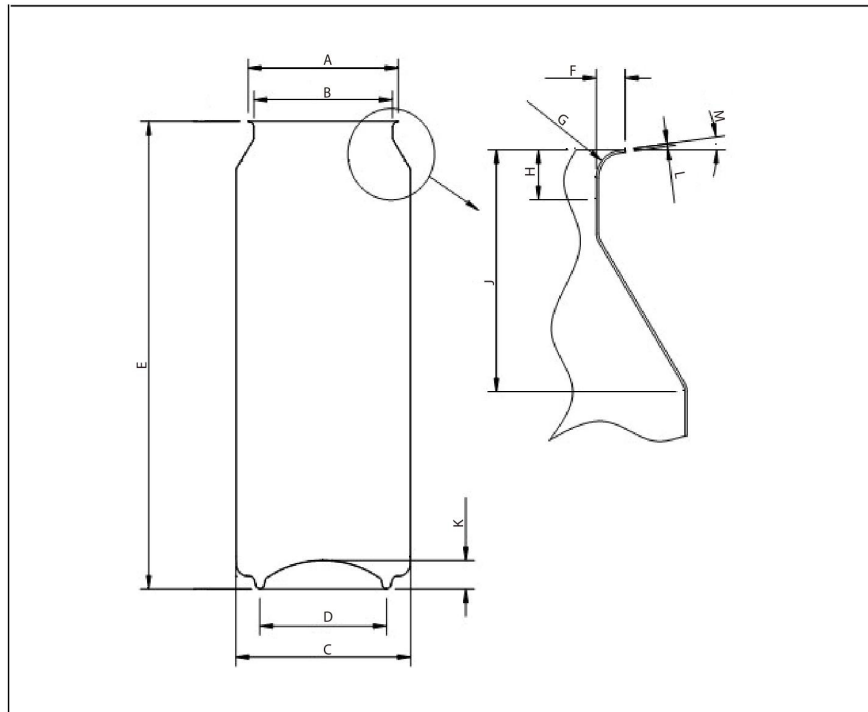
**ENVIROCAN PTY LTD**

**PRODUCT DATA SHEET**

**PRODUCT DESCRIPTION**

**Sleek355ml (202/204)**

**57/52x157mm - 355ml - Aluminium Beverage Can**



**ENVIROCAN PTY LTD**

**ALUMINIUM CAN BODY SPECIFICATION**

Status: **Approved**  
Issue Date: **06 March 2021**

All dimensions are in millimetres and are reference unless stated otherwise.

Material	Aluminium alloy
Temper	H19
Coil Thickness	0.280 ± 0.005mm

A Flange Diameter	57.5	MAX
B Plug Diameter	52.4	± 0,30
C Body Diameter	57.4	REF
D Base Diameter	46.23	REF
E Open Can Height	156.6	± 0,30
F Flange Width	2.13	± 0,25
G Flange Radius	1.524	REF
H Neck Seaming Clearance	3.0	MIN
J Shoulder Height	10.0	REF
K Dome Depth	10.37	
L Flange Thickness	0.16	
M Flange Angle	0-12°	

Brimful	384.5	ml
Axial Load	800	N MIN
Dome reversal	610	kPa MIN